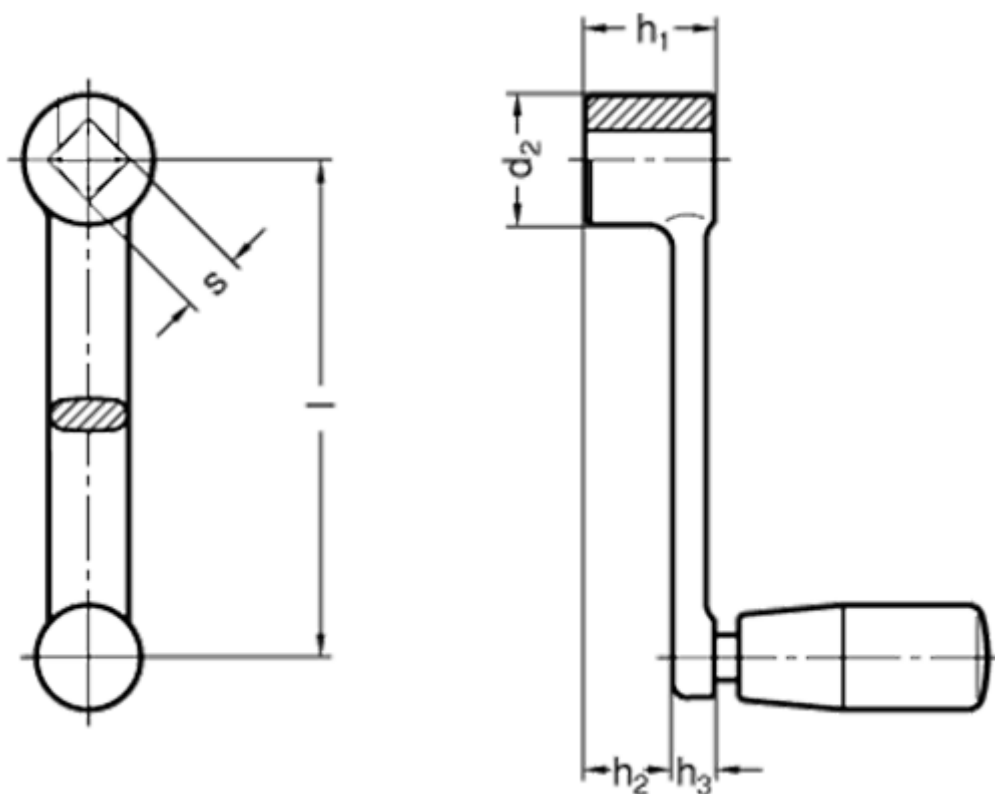


# Data Sheet



Article number: 201568300  
Description: E+G Crank handle  
GN 269-125-V14

## Measures



d2	= 28
h1	= 28
h2	= 18.8
h3	= 9
Handle	= 23
l	= 125
s	= 14